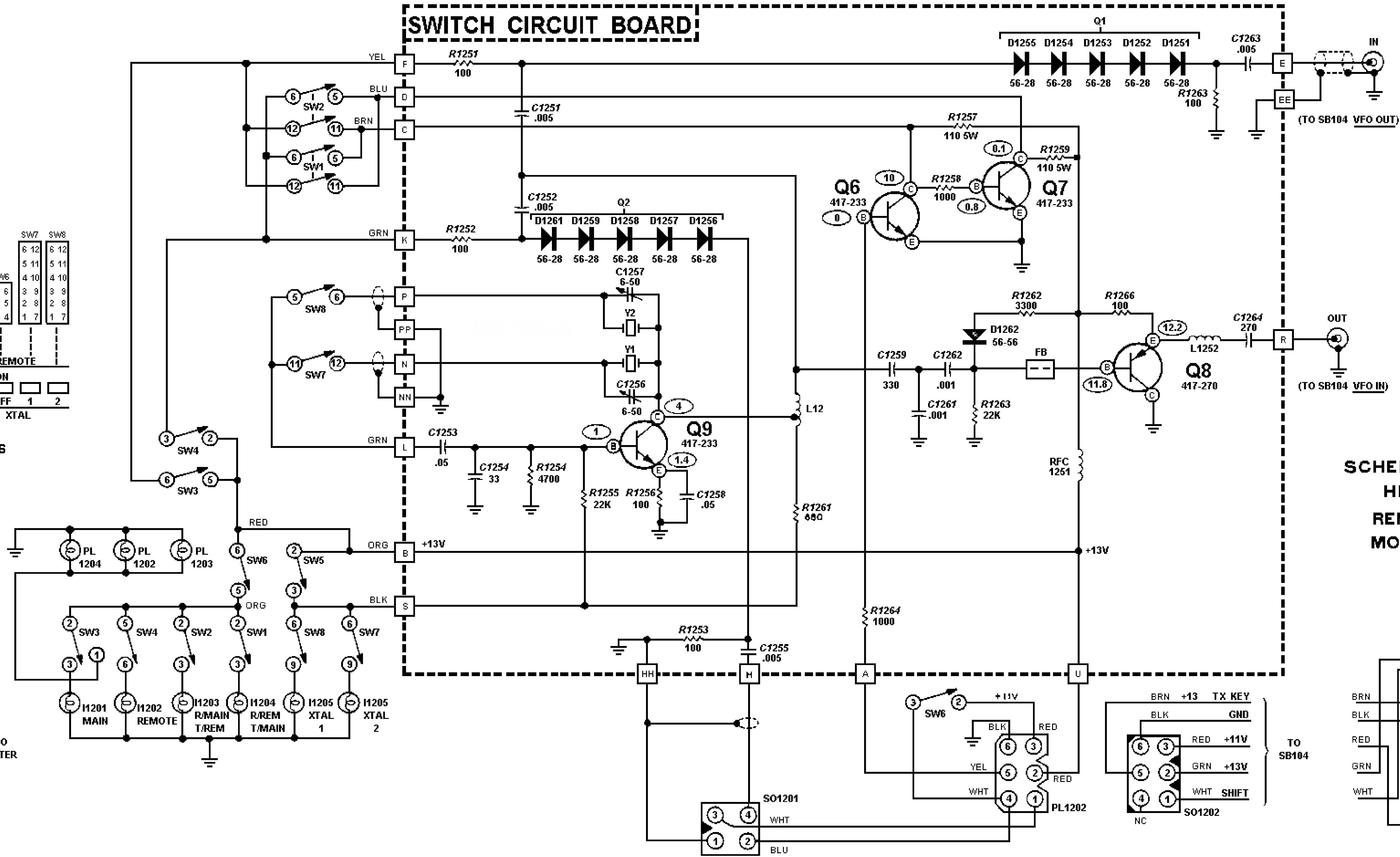
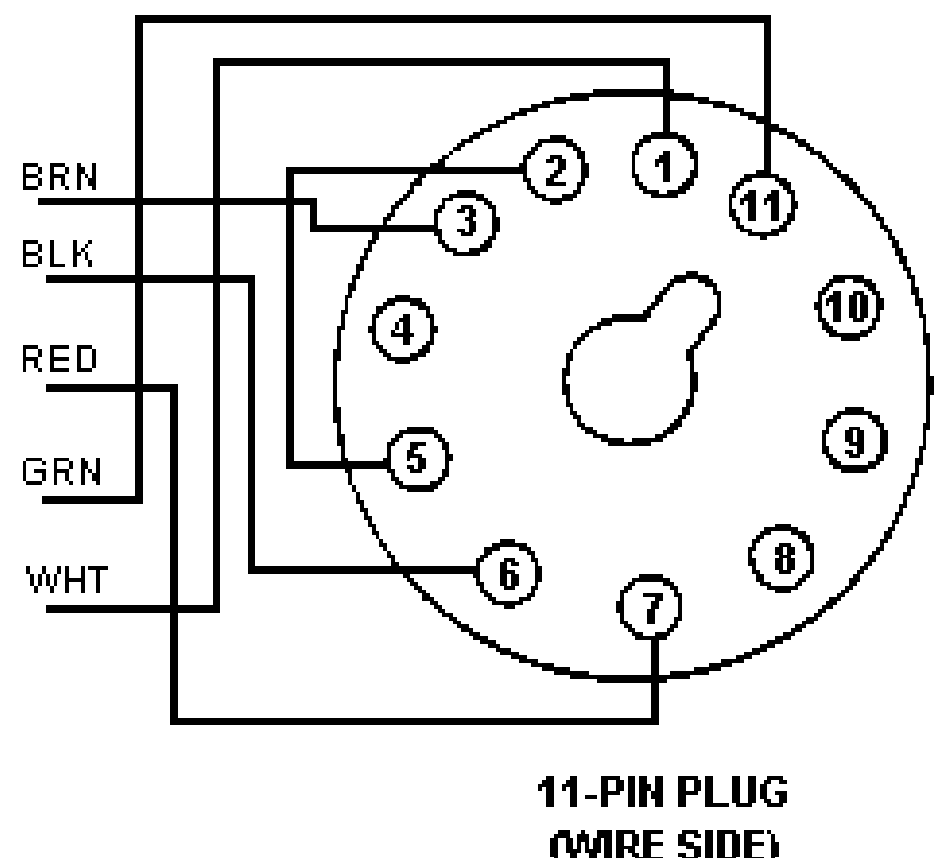


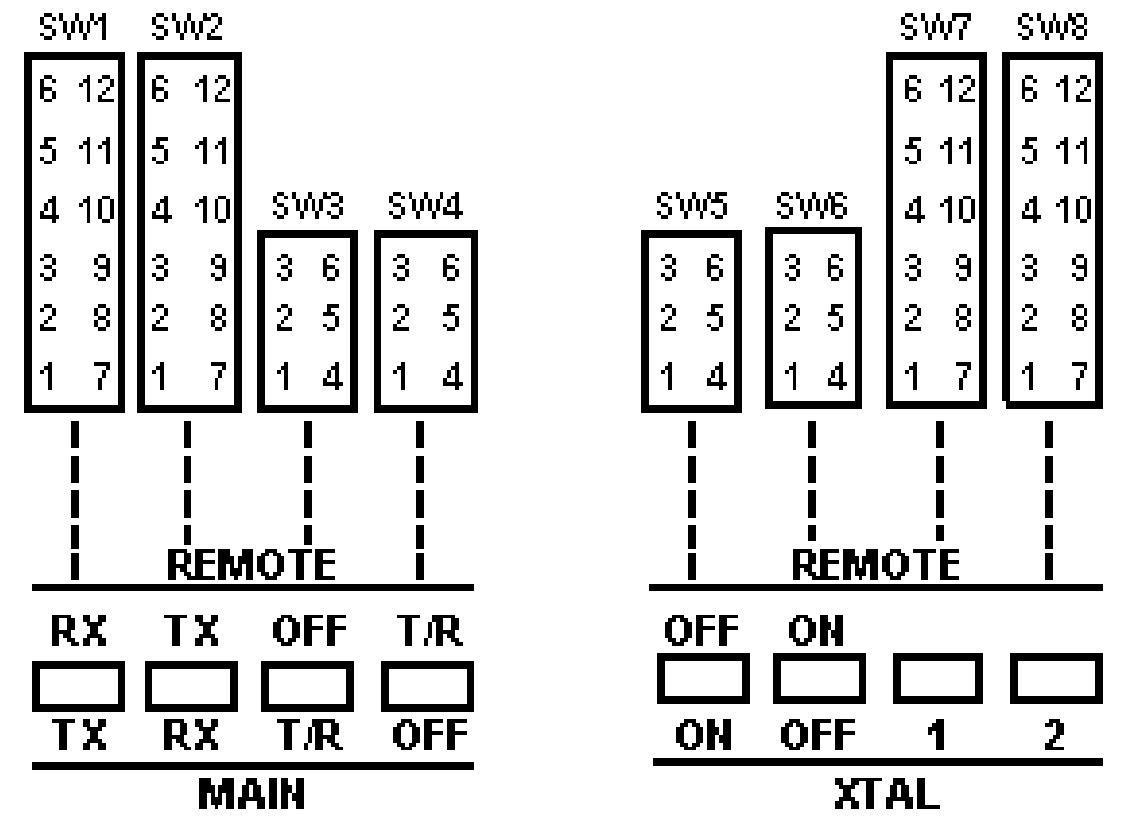
SWITCH CIRCUIT BOARD



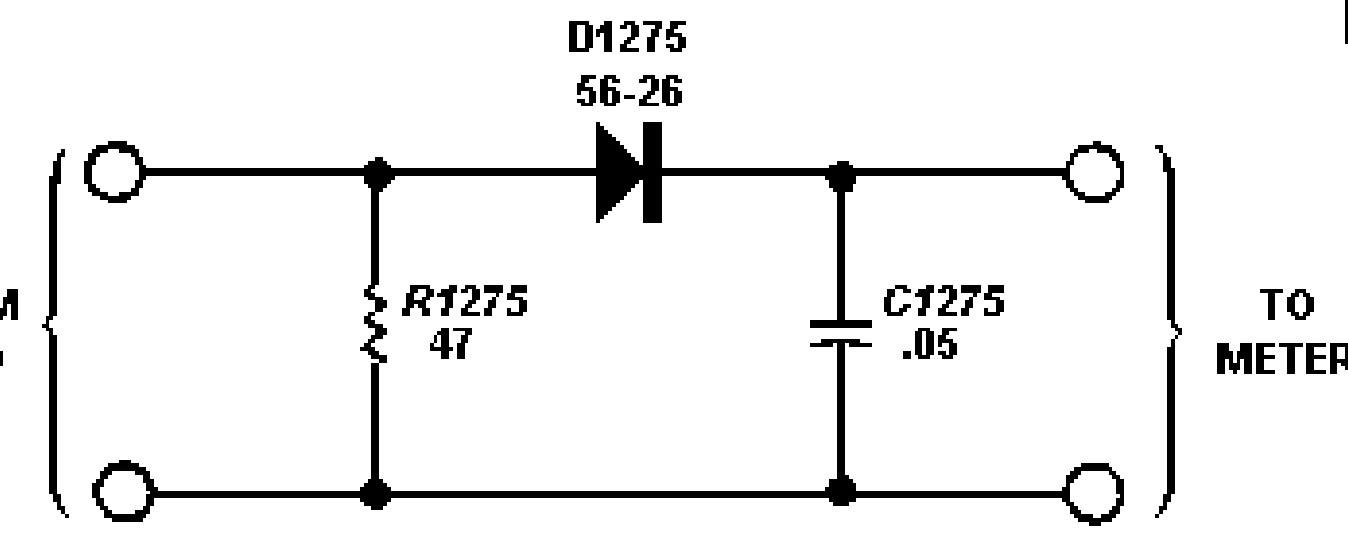
**SCHEMATIC OF THE
HEATHKIT®
REMOTE VFO
MODEL SB-644**



11-PIN PLUG
(WIRE SIDE)

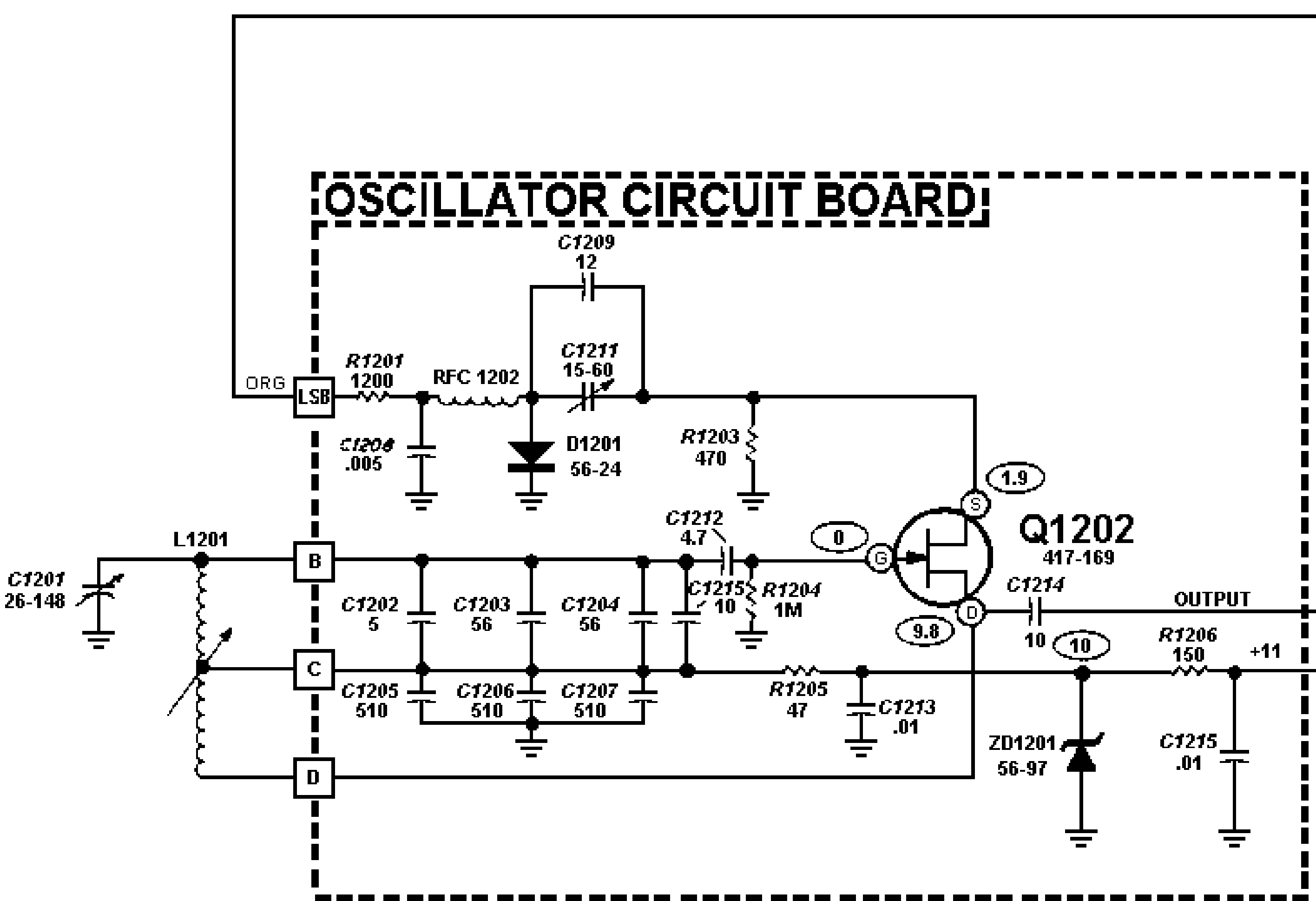


FRONT PANEL SWITCHES
(TOP VIEW)

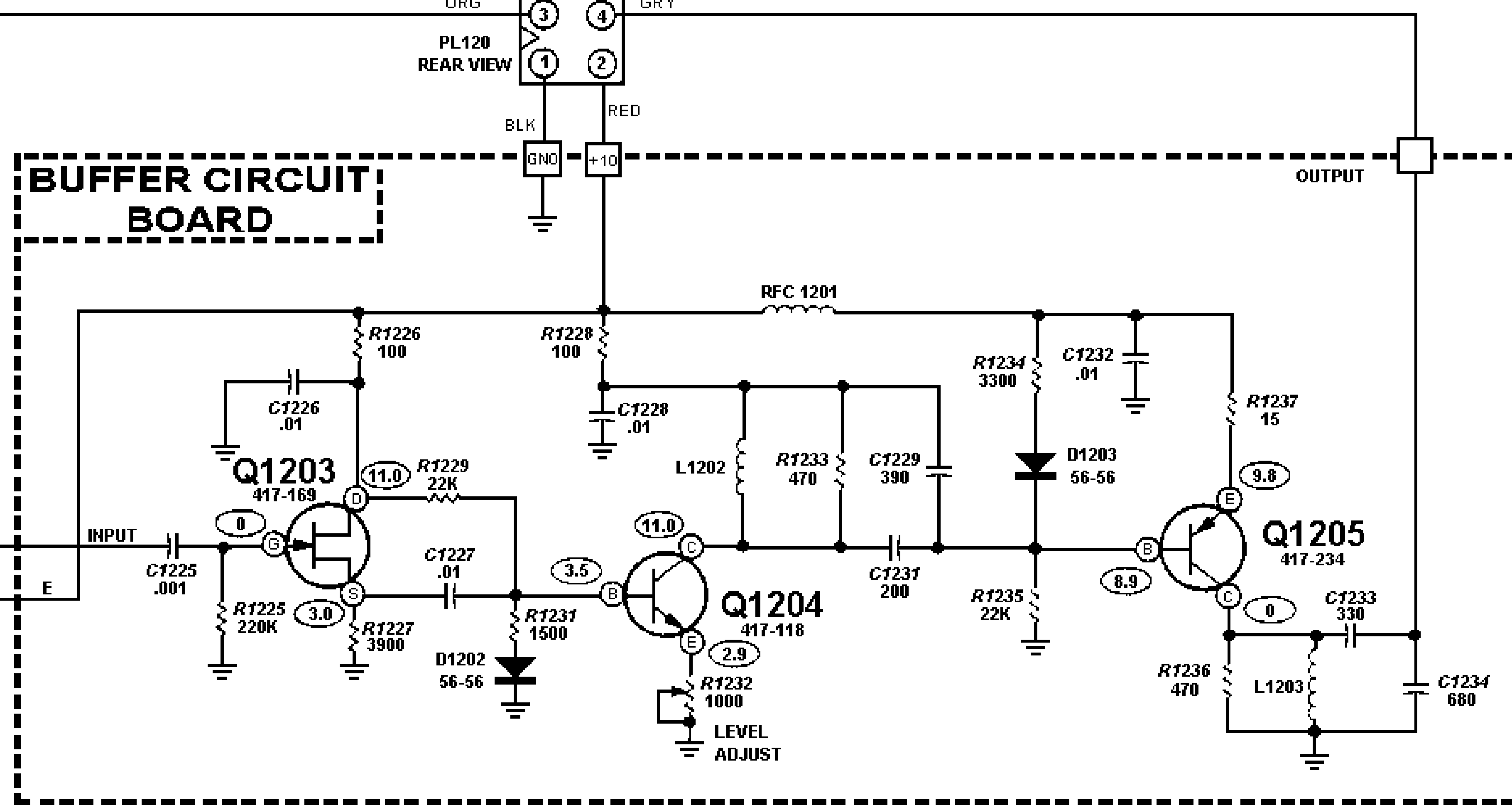


TEST CIRCUIT

OSCILLATOR CIRCUIT BOARD



BUFFER CIRCUIT BOARD



NOTES:

1. ALL RESISTORS ARE 1/2 - WATT, 10% TOLERANCE UNLESS OTHER WISE MARKED.
2. CAPACITORS LESS THAN 1 ARE IN uF (MICROFARADS). ALL OTHER CAPACITORS ARE IN pF (PICOFARADS) UNLESS OTHER WISE MARKED.
3. ○ THIS SYMBOL INDICATES A DC VOLTAGE MEASURED WITH A HIGH IMPEDANCE INPUT VOLTMETER FROM THE POINT INDICATED TO CHASSIS GROUND.
4. ⊕ THIS SYMBOL INDICATES CHASSIS GROUND.
5. □ THIS SYMBOL INDICATES A SOLDERED CONNECTION TO A CIRCUIT BOARD.
6. REFER TO THE "CHASSIS PHOTOGRAPHS" AND "CIRCUIT BOARD" X-RAY VIEWS FOR THE PHYSICAL LOCATION OF PARTS.
7. TP - TEST POINT.
8. FB - FERRITE BEAD.