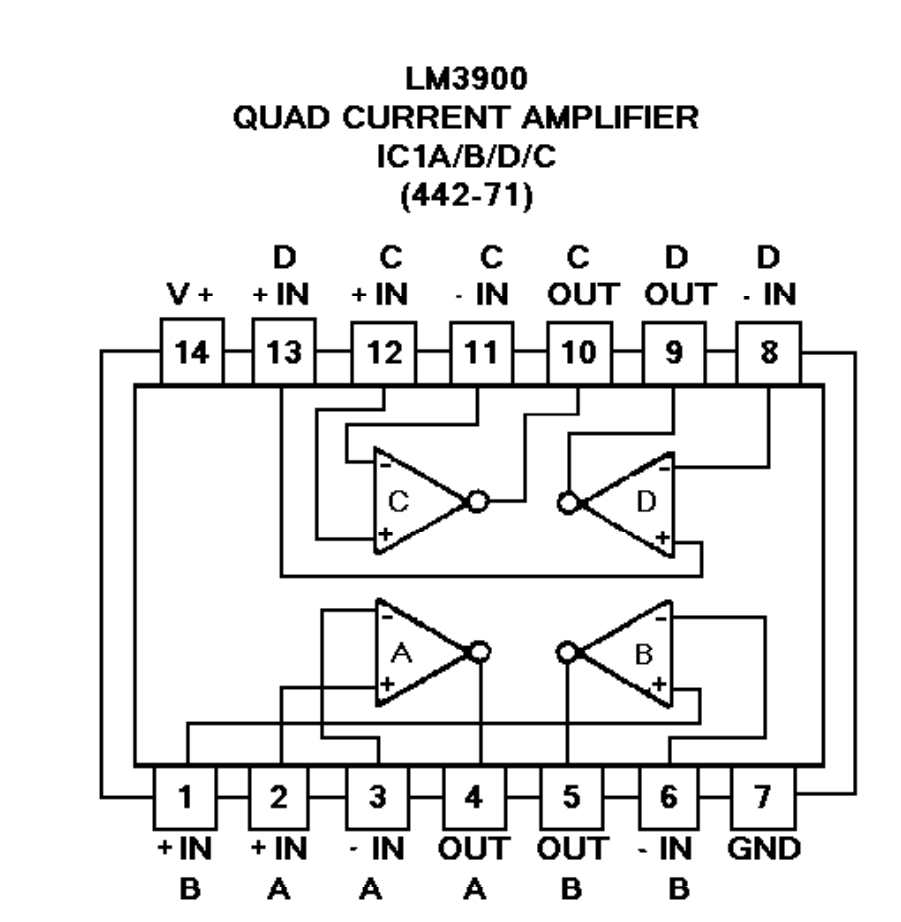


**SCHEMATIC OF THE
 HEATHKIT™
 MODEL RAILROAD ELECTRONIC THROTTLE
 MODEL RP-1065**



OUTPUT TERMINALS

