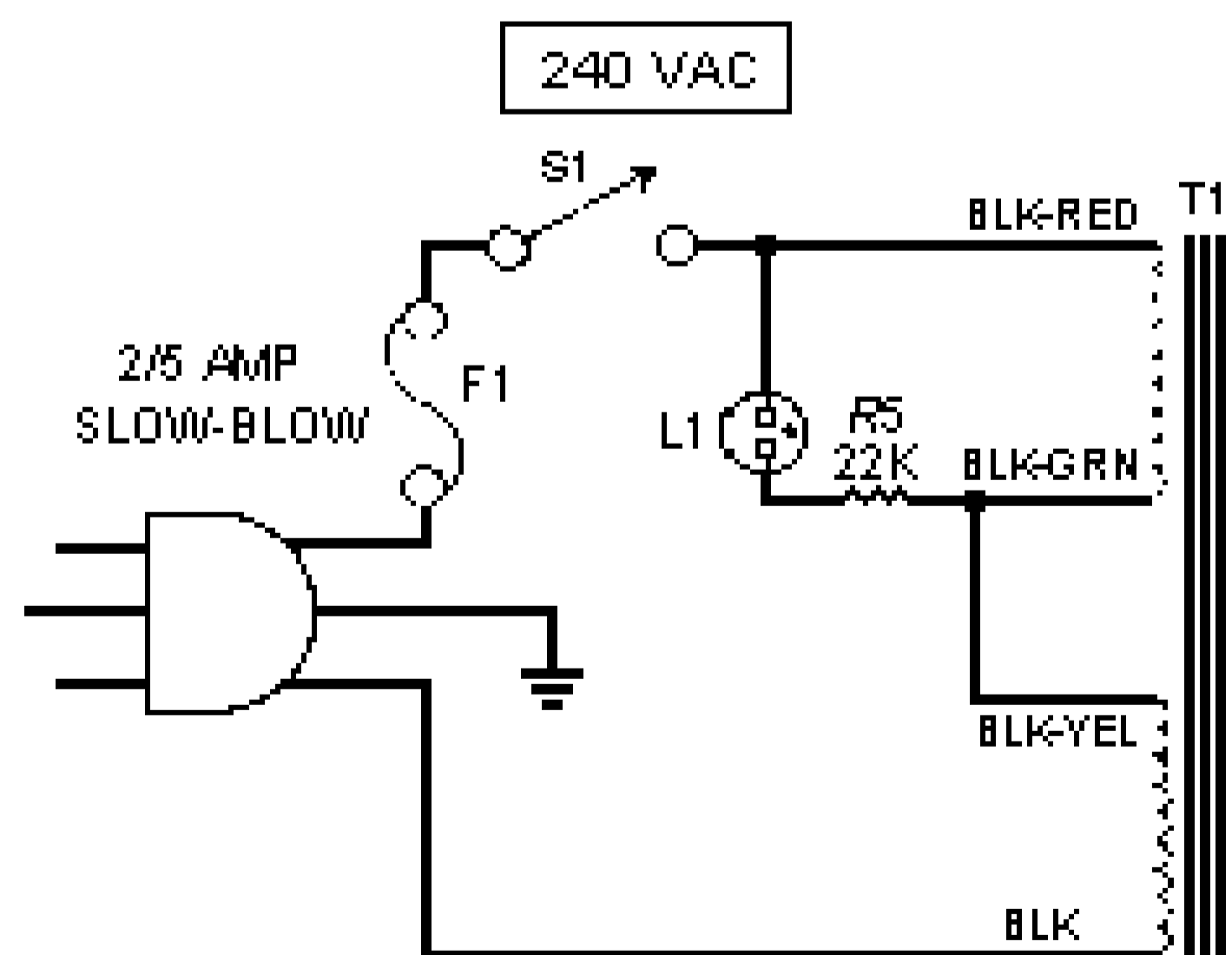


**SCHEMATIC OF THE
HEATHKIT
AC POWER SUPPLY
MODEL HWA-202-1**



NOTES:

1. RESISTOR VALUES ARE IN OHMS. RESISTORS ARE 1/2 WATT UNLESS OTHERWISE SPECIFIED.
2. CAPACITOR VALUES ARE IN uF.
3. THIS SYMBOL INDICATES CONNECTIONS TO CIRCUIT BOARD.
4. THIS SYMBOL INDICATES DC VOLTAGES WITH 120 VAC SOURCE. VOLTAGES MAY VARY $\pm 20\%$. FIRST FIGURE IS TAKEN WITH NO LOAD; SECOND FIGURE IS TAKEN WITH 2.2A LOAD.