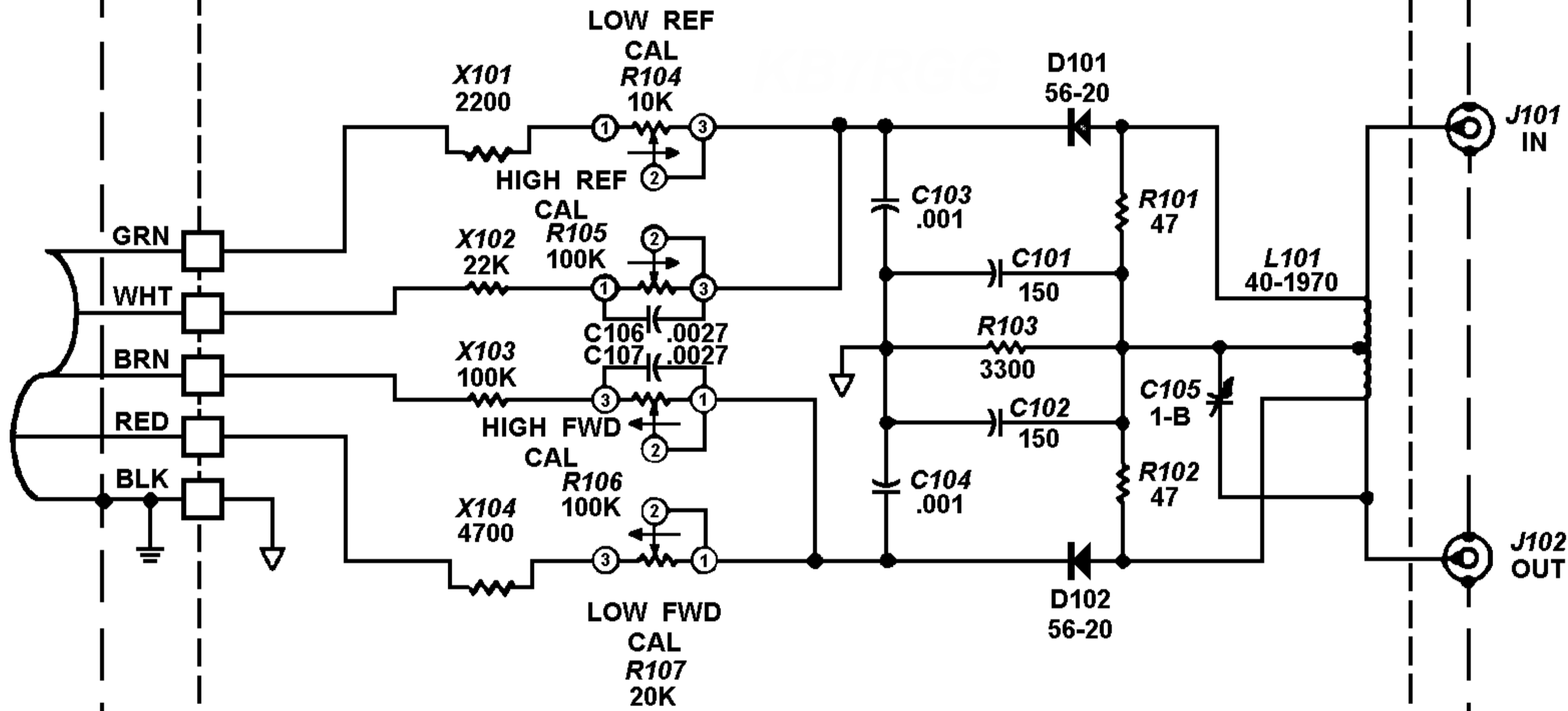


REMOTE SENSOR

(100-1749)

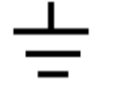

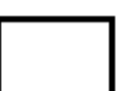


SENSOR CIRCUIT BOARD

(B5-2038)



SCHEMATIC OF THE HEATHKIT HF DUAL WATTMETER MODEL HM-2140-A

NOTES:

1. ALL RESISTOR VALUES ARE IN OHMS (Ω):
(K = 1000).
2. ALL RESISTORS ARE 1/4-WATT, 5% TOLERANCE
UNLESS OTHERWISE NOTED.
3. CAPACITOR VALUES LESS THAN 1 ARE IN μ F (MICRO-
FARADS). VALUES OF 1 OR GREATER ARE IN pF
(PICOFARADS) UNLESS OTHERWISE MARKED.
4.  THIS SYMBOL INDICATES A CHASSIS GROUND.
5.  THIS SYMBOL INDICATES A CIRCUIT BOARD
GROUND.
6.  THIS SYMBOL INDICATES A CIRCUIT BOARD
WIRE CONNECTION.
7.  THIS SYMBOL INDICATES THE CLOCKWISE RO-
TATION OF A CONTROL.
8.  THIS SYMBOL INDICATES A DC VOLTAGE
MEASURED FROM THE POINT INDICATED
TO CIRCUIT BOARD GROUND.

Part of 595-2969-02