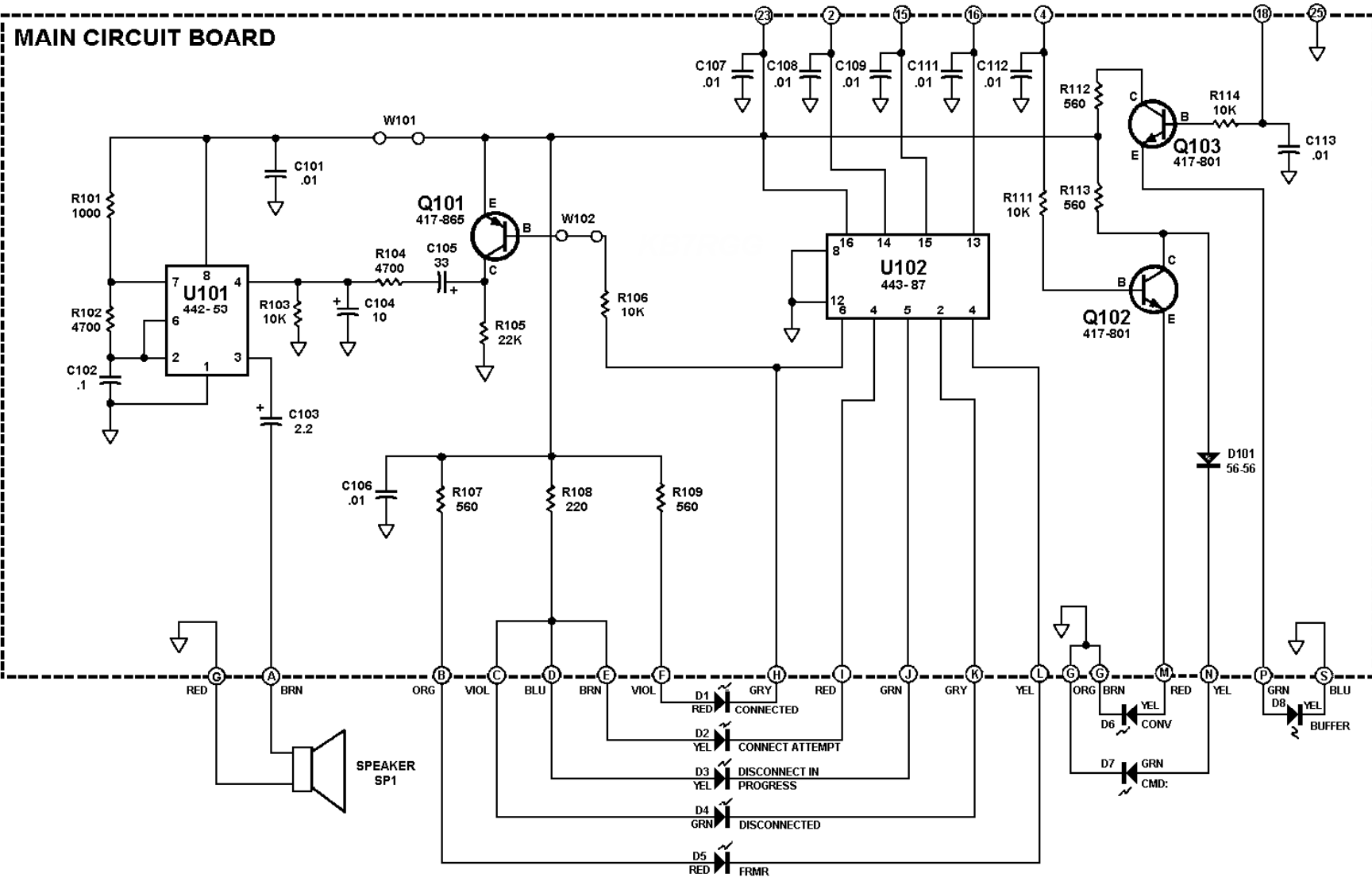






MAIN CIRCUIT BOARD



SCHEMATIC OF THE HEATHKIT® TNC STATUS INDICATOR MODEL HDA-4040-1

NOTES:

- All resistors are rated at 1/4-watt, and have a 5% tolerance unless otherwise noted (K = 1000).
- Capacitor values are in μF (microfarads).
- The following symbols are used on this schematic diagram:
 -  Circuit board ground.
 -  (Lettered) A circuit board wire connection to a chassis-mounted component.
 -  (Numbered) A circuit board wire connection to a like number on TNC parallel port P1.
 -  A DC voltage reading taken with a high input impedance digital voltmeter from the point indicated to chassis ground. Voltages may vary $\pm 10\%$.
- Refer to the "Circuit Board X-Ray View" on Manual Page 23 for the physical locations of parts.