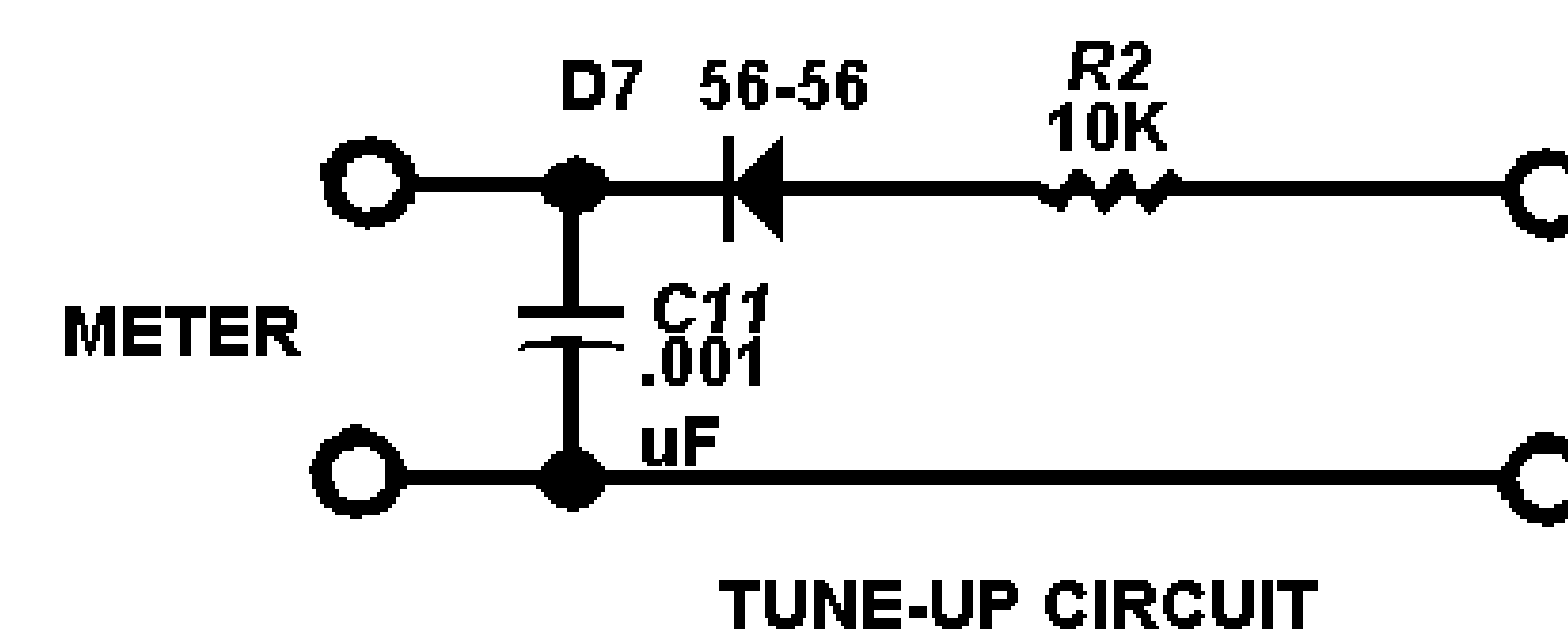
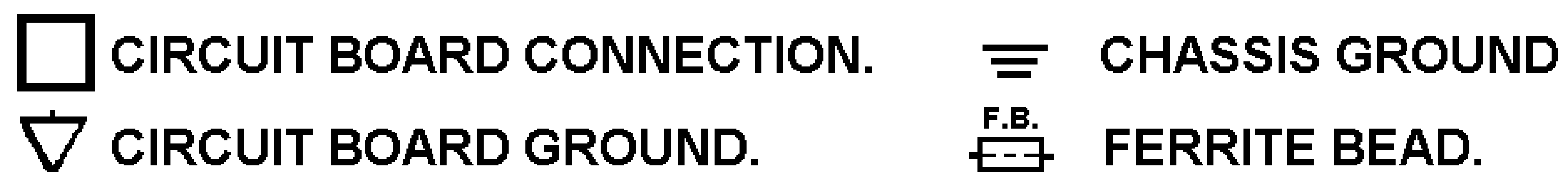


**NOTES**

1. RESISTORS ARE 1/2 WATT UNLESS OTHERWISE NOTES.
2. CAPACITORS ARE IN pF UNLESS OTHERWISE NOTED.
3. VOLTAGES ARE TAKEN WITH A HIGH IMPEDANCE INPUT VTVM FROM THE POINT INDICATED TO CHASSIS GROUND.
4. SYMBOLS USED:



**SCHEMATIC OF THE  
HEATHKIT  
2 - METER AMPLIFIER  
MODEL HA-201**