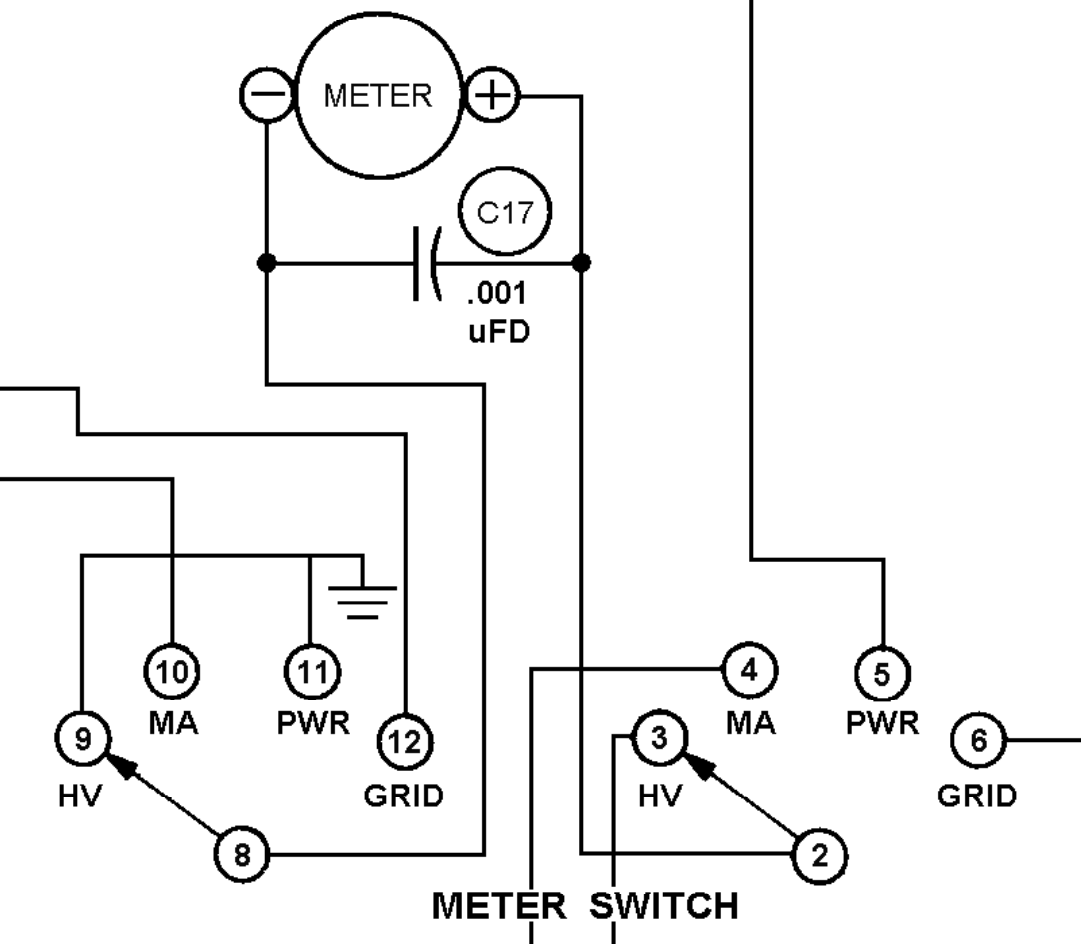
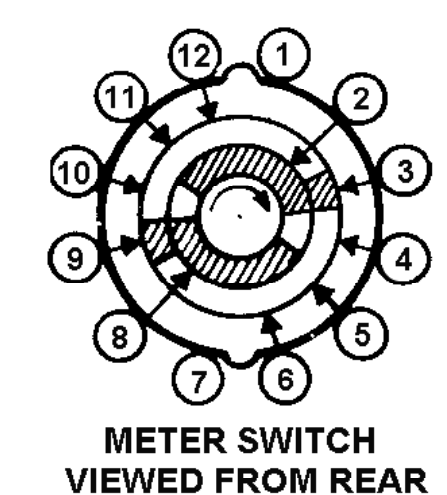
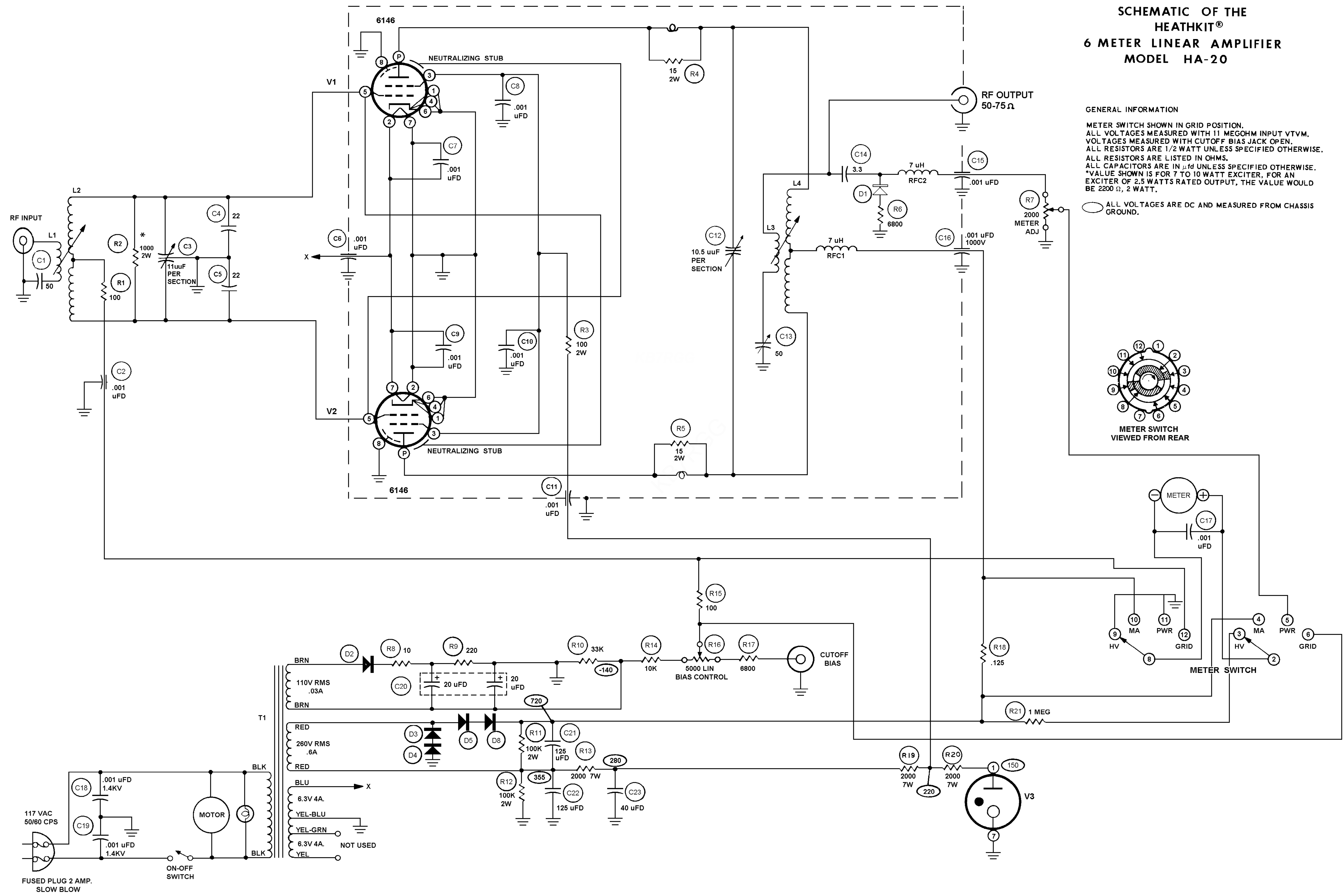


SCHEMATIC OF THE HEATHKIT® 6 METER LINEAR AMPLIFIER MODEL HA-20

GENERAL INFORMATION

METER SWITCH SHOWN IN GRID POSITION.
 ALL VOLTAGES MEASURED WITH 11 MEGOHM INPUT VTVM.
 VOLTAGES MEASURED WITH CUTOFF BIAS JACK OPEN.
 ALL RESISTORS ARE 1/2 WATT UNLESS SPECIFIED OTHERWISE.
 ALL CAPACITORS ARE IN μfd UNLESS SPECIFIED OTHERWISE.
 *VALUE SHOWN IS FOR 7 TO 10 WATT EXCITER, FOR AN
 EXCITER OF 2.5 WATTS RATED OUTPUT, THE VALUE WOULD
 BE 2200 Ω , 2 WATT.

○ ALL VOLTAGES ARE DC AND MEASURED FROM CHASSIS
 GROUND.



117 VAC
50/60 CPS

FUSED PLUG 2 AMP.
SLOW BLOW

ON-OFF SWITCH

MOTOR

T1

BRN 110V RMS .03A

BRN 260V RMS .6A

RED 6.3V 4A

YEL-BLU 6.3V 4A NOT USED

YEL-GRN

YEL

CUTOFF BIAS

BIAS CONTROL

V3