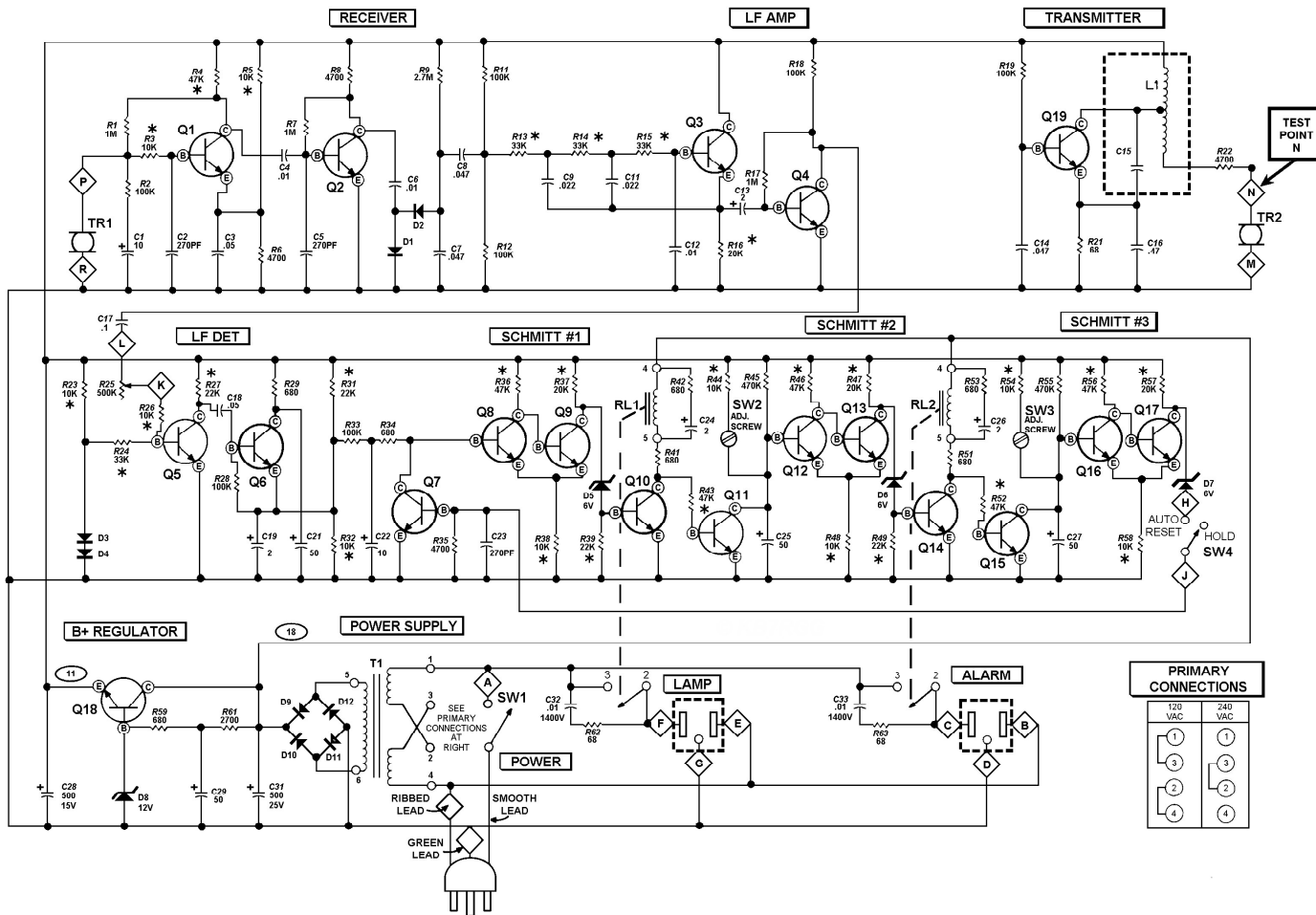


## SCHEMATIC OF THE HEATHKIT MODEL GD-39 ULTRASONIC INTRUSION ALARM



**NOTES:**

1. ALL RESISTORS ARE 1/2 WATT. RESISTOR VALUES ARE IN OHMS (K=1,000; M=1,000,000.) 5% TOLERANCE RESISTORS ARE MARKED WITH AN ASTERISK.
2. ALL CAPACITOR VALUES ARE IN  $\mu$ F UNLESS OTHERWISE MARKED.
3. SYMBOLS:
  - \* 5% TOLERANCE RESISTORS (4th BAND GOLD)
  - ◇ A CIRCUIT BOARD CONNECTION HOLE. A LETTER IN THE SQUARE IS THE LETTER PRINTED ON THE CIRCUIT BOARD.
  - TRANSDUCER.
  - A DC VOLTAGE OF THE SAME VALUE AS THE CONTAINED FIELD
  - ⏏ AC SOCKET.
4. REFER TO THE TRANSISTOR AND DIODE IDENTIFICATION CHART FOR IDENTIFICATION INFORMATION OF THESE DEVICES.
5. REFER TO THE X-RAY VIEWS AND THE CHASSIS PHOTOGRAPHS FOR THE PHYSICAL LOCATION OF PARTS.
6. REFER TO THE VOLTAGE CHART FOR VOLTAGES AT TRANSISTOR AND DIODE LEADS.

PRIMARY CONNECTIONS	
120 VAC	240 VAC
1	1
3	3
2	2
4	4