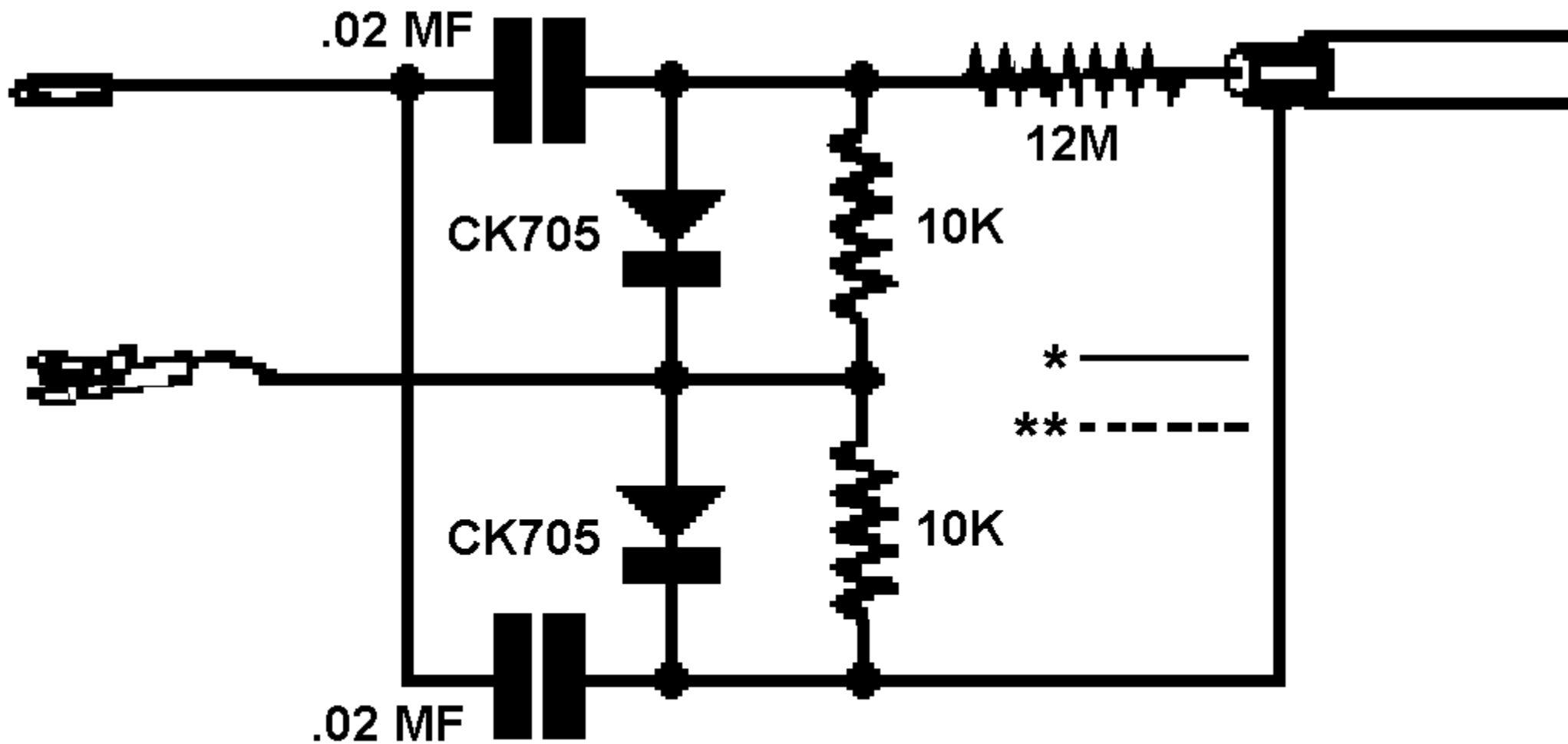


PEAK TO PEAK



* MODEL PTP-11 ~ ** MODEL PTP-25