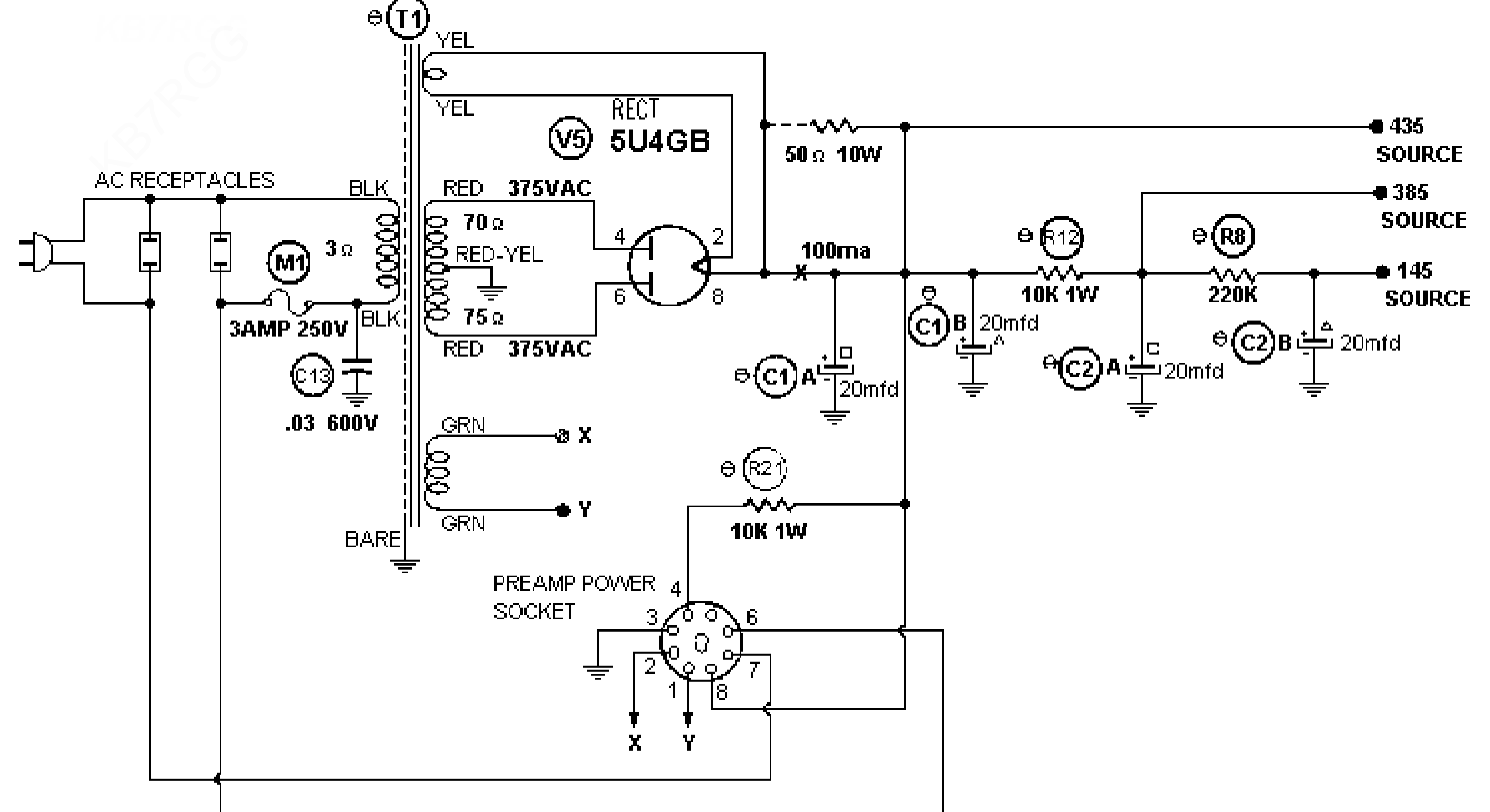


RESISTANCE READINGS

ITEM	TUBE	Pin 1	Pin 2	Pin 3	Pin 4	Pin 5	Pin 6	Pin 7	Pin 8	Pin 9
V1	EF86 6267	↑ 700K	0 Ω	1200 Ω	INF	INF	↑ 330K	0 Ω	1200 Ω	10K
V2	6SN7GTB	↑ 1.3meg	↑ 43K	18K	↑ 330K	↑ 37K	18K	INF	INF	
V3	6L6GB	0 Ω	INF	↑ 140 Ω	↑ 65 Ω	120K	TP	INF	350 Ω	
V4	6L6GB	0 Ω	INF	↑ 155 Ω	↑ 60 Ω	120K	TP	INF	350 Ω	
V5	5U4GB	NC	↑	NC	70 Ω	NC	75 Ω	NC	↑	

↑ THIS READING WILL VARY DEPENDING UPON THE CONDITION OF THE ELECTROLYTIC IN THE CIRCUIT.
 ↑ MEASURED FROM PIN 8 OF V5.
 NC NO CONNECTION

TP TIE POINT



**EICO MODELS
HF-22, HF-35**

1. DC voltage measurements taken with vacuum tube voltmeter; AC voltages measured at 1000 ohms per volt.
2. Socket connections are shown as bottom views.
3. Measured values are from socket pin to common negative.
4. Line voltage maintained at 117 volts for voltage readings.
5. Nominal tolerance of component values makes possible a variation of +15% in voltage and resistance readings.
6. All controls at minimum, proper output load connected.

⊙ SEE PARTS LIST FOR ALTERNATE VALUE OR APPLICATION

DC COIL RESISTANCE VALUES UNDER ONE OHM NOT SHOWN ON SCHEMATIC DIAGRAM