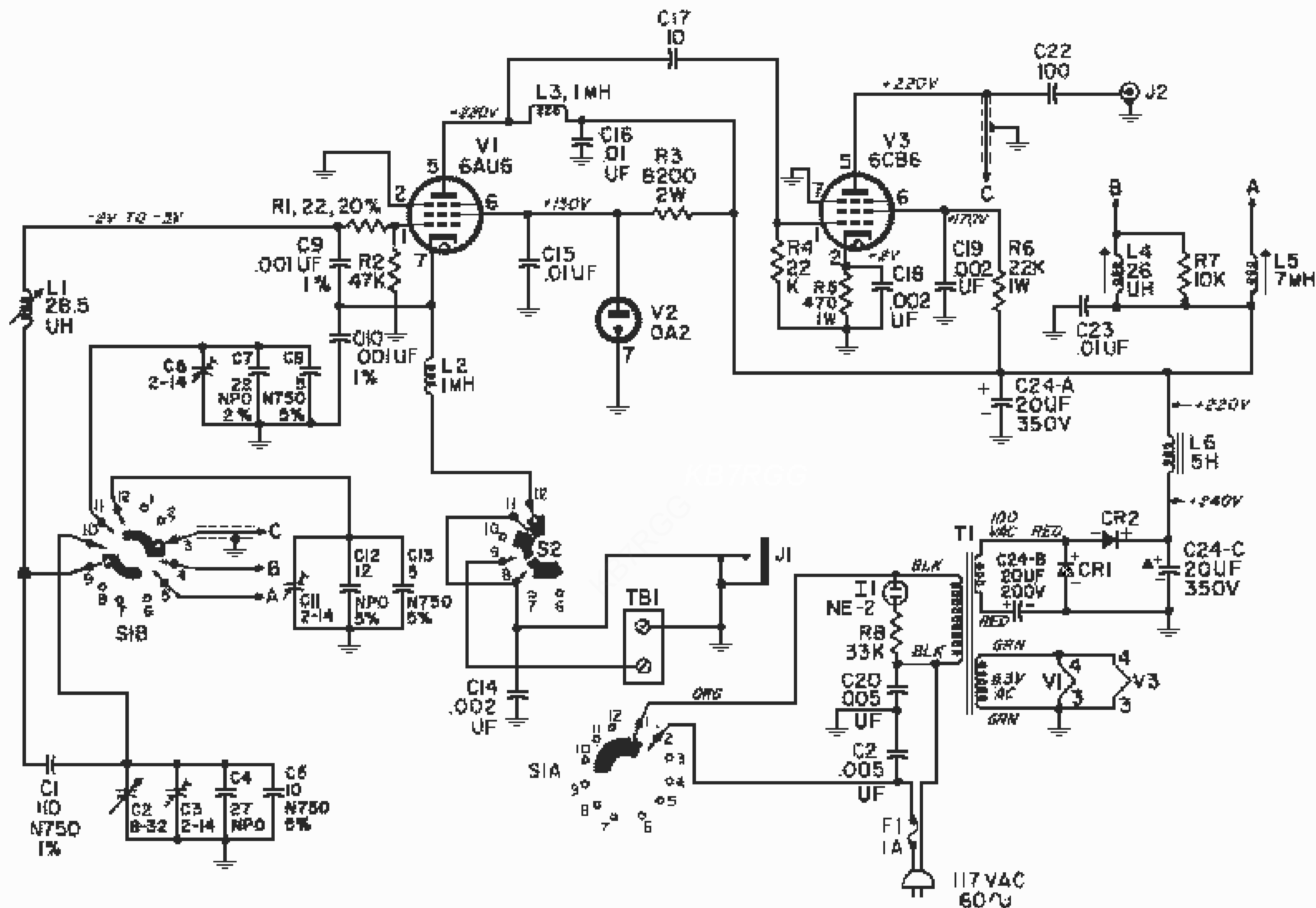


Schematic Diagram of EICO Model 722



NOTES

1. All resistors are in ohms, 1/2W, 10%, unless otherwise specified.
2. All capacitors are in uuf, 10%, unless otherwise specified.
3. M - Megohms (1,000,000).

K = Kilohms (1,000)

4. "BAND" switch S1 shown in "OFF" Extreme counter-clockwise position.
5. "MODE" switch S2 shown in "SPOT" position.

VOLTAGE MEASUREMENT INSTRUCTIONS

Voltages Measured to Ground with VTVM When:

1. FUNCTION switch is in "SPOT" position.
2. BAND switch in 80M position.
3. VFO tuned to 3.5Mc.