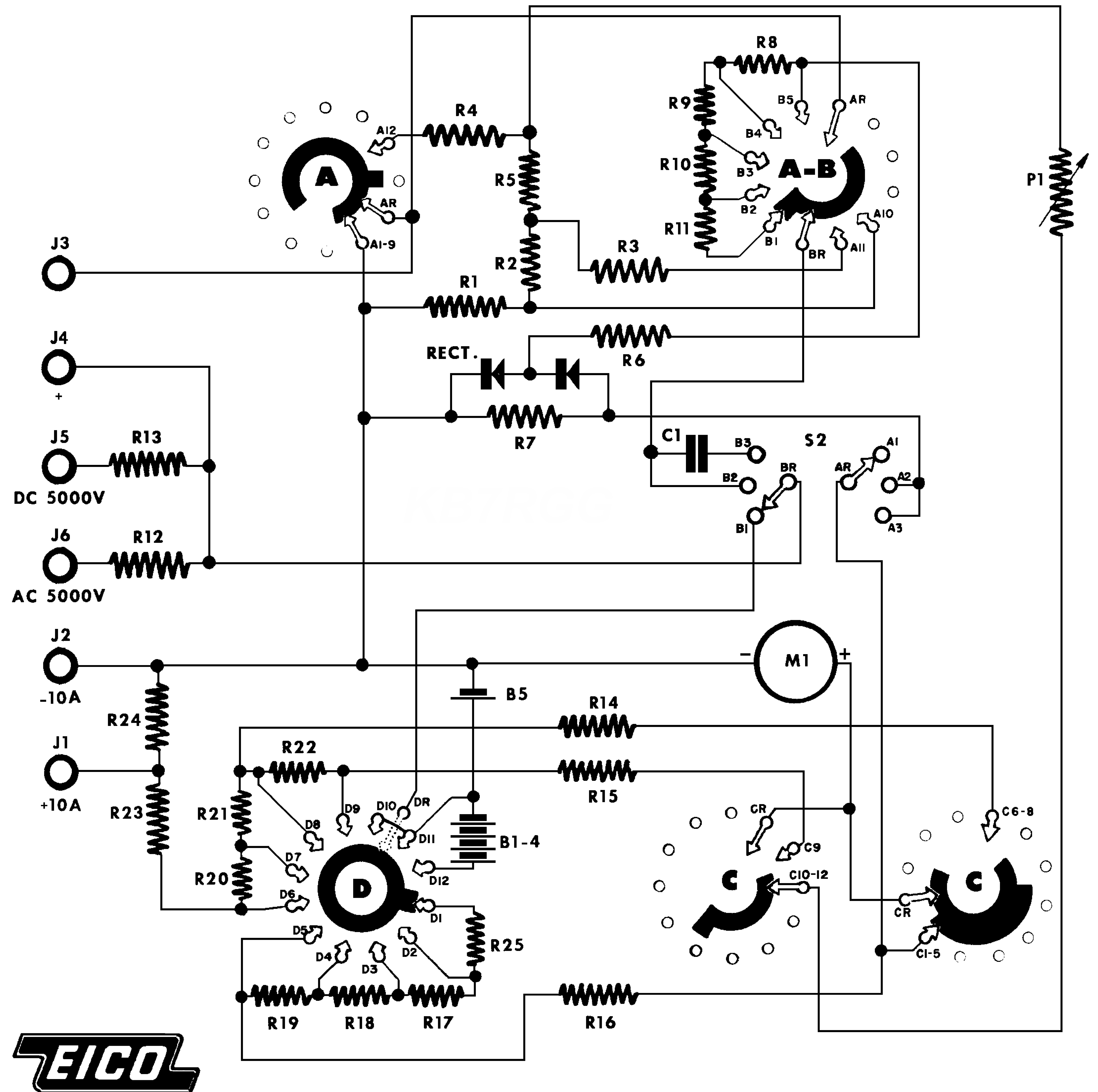


Sym.	Description
B1-B4	bat, 1.5 volt, size AA
B5	bat, 1.5 volt, size D
C1	cap, paper, .1 mfd
M1	meter, 50 ua
P1	pot, 10K ohm
R1	res, 11.5 ohm
R2	res, 1138 ohm
R3	res, 110 ohm
R4	res, 117.7K ohm
R5	res, 21.85K ohm
R6	pot, series
R7	pot, shunt
R8	res, 7500 ohm
R9	res, 40K ohm
R10	res, 200K ohm
R11	res, 750K ohm (2-375K)
R12	res, 4M ohm (2-2M)
R13	res, 80M ohm
R14	res, 3000 ohm
R15	res, 3000 ohm
R16	res, 48K ohm
R17	res, 4M ohm
R18	res, 800K ohm
R19	res, 150K ohm
R20	res, 2 ohm
R21	res, 22.5 ohm
R22	res, 4975 ohm
R23	res, .475 ohm
R24	res, .025 ohm
R25	res, 15M ohm (2-7.5M)
S1	switch, rotary, 4 pole-12 pos.
S2	switch, rotary, 2 pole- 3 pos.



20,000 OHMS/VOLT MULTIMETERS

Models 565-555