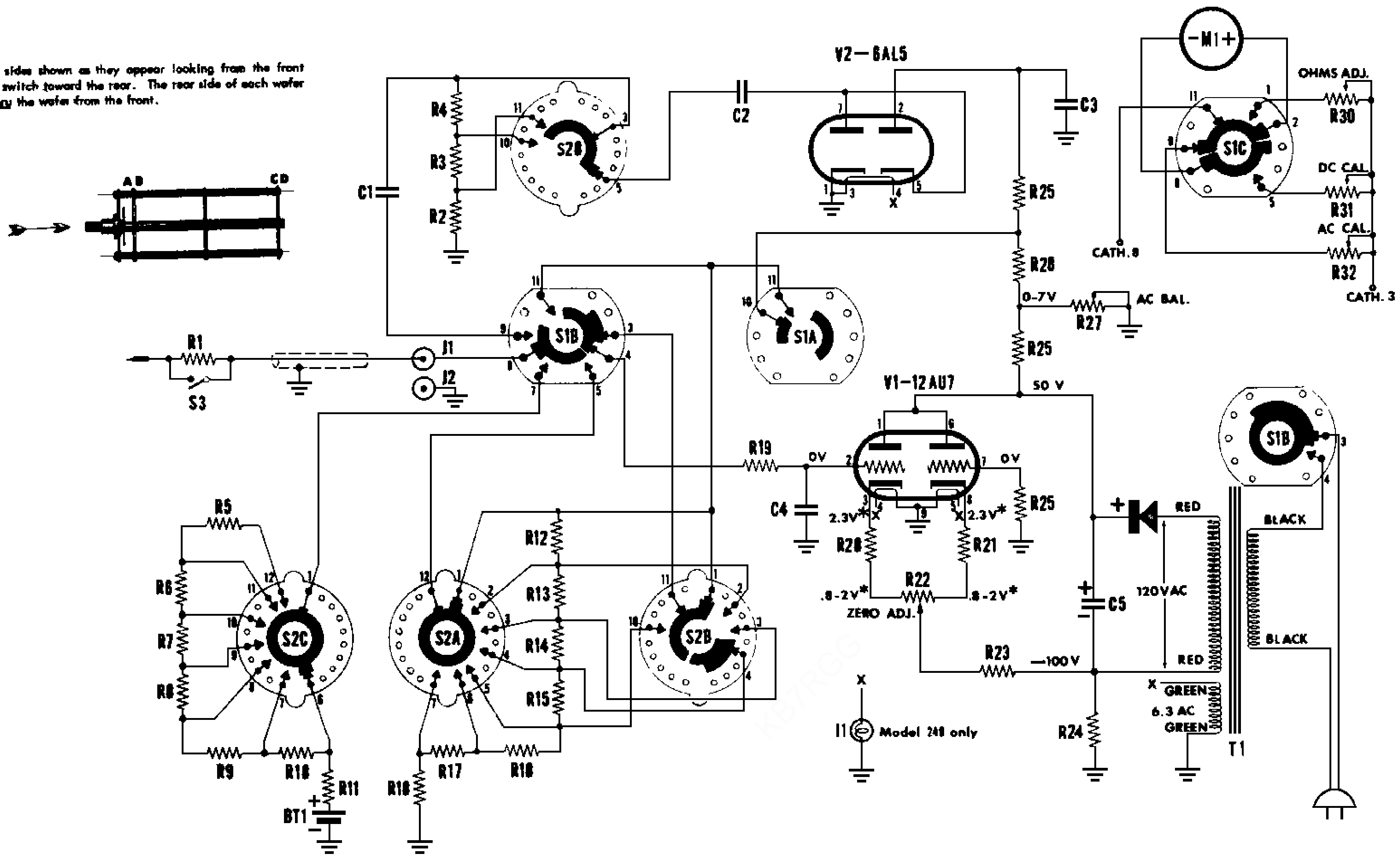


All switch wafer sides shown as they appear looking from the front (shaft end) of the switch toward the rear. The rear side of each wafer is seen looking thru the wafer from the front.



Rotors on all switch wafers shown in extreme counter-clockwise position.

Sym.	Description	Sym.	Description	Sym.	Description	Sym.	Description
BT1	battery, 1 1/2V	R4	res., 900KΩ, 1W, 1%	R14	res., 700KΩ, 1/2W, 1%	R25	res., 4.7MΩ, 1/2W
C1	cap., .1mf - 1000V	R5	res., 9MΩ, 1/2W, 1%	R15	res., 200K, 1/2W, 1%	R26	res., 33K, 1/2W
C2, C3	cap., .025mf - 400V	R6	res., 900KΩ, 1/2W, 1%	R16	res., 70KΩ, 1/2W, 1%	R27	pot., 10KΩ, linear
C4	cap., .003mf - 400V	R7	res., 90KΩ, 1/2W, 1%	R17	res., 20KΩ, 1/2W, 1%	R28	res., 82MΩ, 1/2W
C5	cap., elec. 10mf - 150V	RB	res., 9KΩ, 1/2W, 1%	R18	res., 10KΩ, 1/2W, 1%	R29	res., 18MΩ, 1/2W
CR1	rect., 35 ma	R9	res., 900Ω, 1/2W, 1%	R19	res., 3.3MΩ, 1/2W	R31, 32	pot., 2KΩ, linear
I1*	bulb, #47	R10	res., 90Ω, 1/2W, 1%	R20, 21	res., 680Ω, 1/2W	S1	switch, function
M1	meter, 400ua	R11	res., 9.7Ω, 1/2W, 1%	R22, 30	pot., 2KΩ, linear	S2	switch, range
R1	res., 1MΩ, 1/2W	R12	res., 7MΩ, 1W, 1%	R23	res., 47K, 1/2W	V1	tube, 12AU7
R2	res., 150KΩ, 1/2W, 1%	R13	res., 2MΩ, 1/2W, 1%	R24	res., 68K, 1/2W	V2	tube, 6AL5
R3	res., 325KΩ, 1/2W, 1%						

\* Model 249 only

FUNCTION SWITCH S1		RANGE SWITCH S2	
Position	Setting	Position	Setting
1	OFF	1	1.5V, R X 1
2	AC VOLTS	2	5V, R X 10
3	-DC VOLTS	3	15V, R X 100
4	+DC VOLTS	4	50V, R X 1000
5	OHMS	5	150V, R X 10K
		6	500V, R X 100K
		7	1500V, R X 1M

# MODEL 232 PEAK TO PEAK VTVM