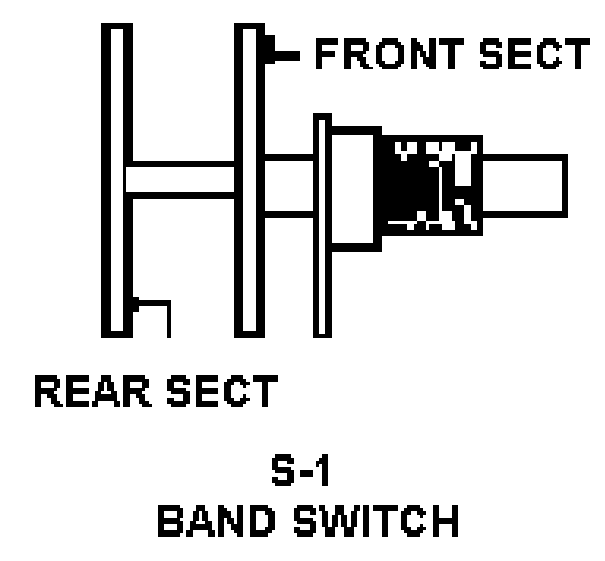
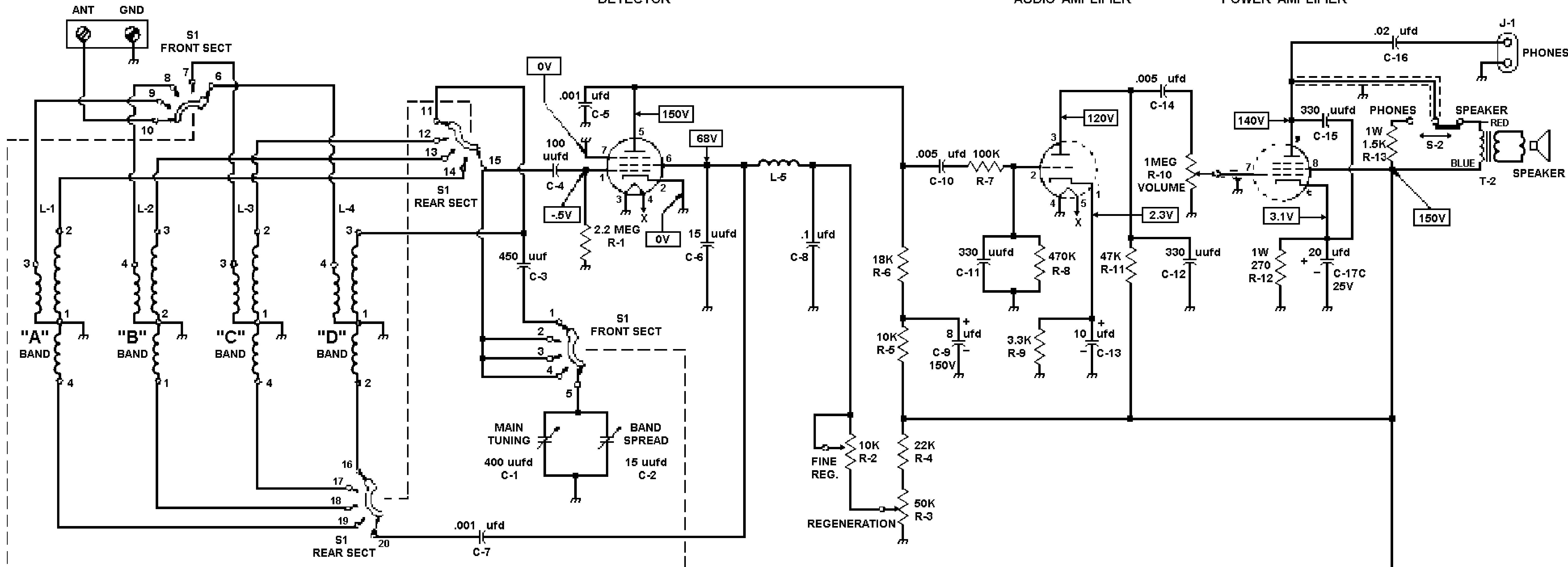


V1
6BZ6
 DETECTOR

V2A
1/2 - 6AW8A
 AUDIO AMPLIFIER

V2B
1/2 - 6AW8A
 POWER AMPLIFIER



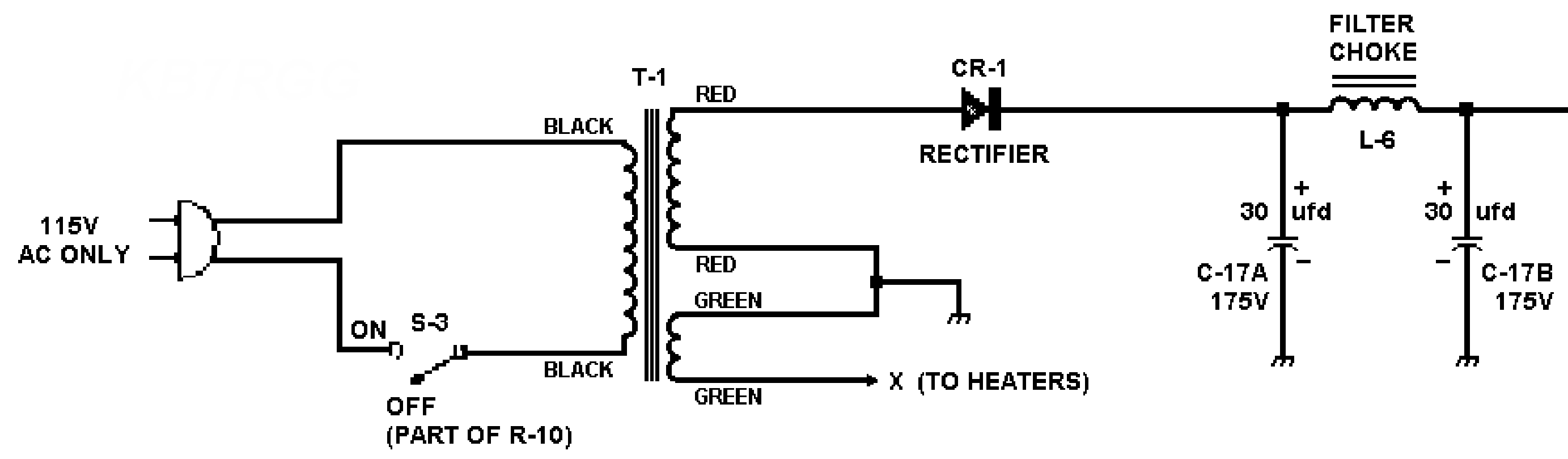
FREQUENCY RANGE

BAND "A"	.54 TO 1.7 MC
BAND "B"	1.65 TO 5 MC
BAND "C"	4.5 TO 14.5 MC
BAND "D"	13.5 TO 30.0 MC

NOTES

RESISTORS INDICATED IN OHMS
 K = 1,000 OHMS
 MEG = 1,000,000 OHMS

CAPACITORS INDICATED IN MICROFARADS UNLESS OTHERWISE SPECIFIED.



VOLTAGE MEASUREMENTS ARE DC FROM POINTS INDICATED TO CHASSIS. MEASUREMENTS MADE WITH A VTVM.

KNIGHTKIT SPANMASTER