

FUNCTION SWITCH IN
DC MA POSITION

SW 1
13 DC. MA.
12 -DC V.
11 +DC. V.
10 AC. V.
9 OHMS
8 CAP.

RANGE SWITCH IN
10 MA POSITION

SW 2
1 Rx1 5V. 1 MA. Cx100K
13 Rx10 10V. 10 Ma. Cx10 K.
12 Rx100 100 MA. 50 V. Cx1000
11 Rx1K. 500 Ma. 100 V. Cx100
10 Rx100K. 500V. Cx1 5KV. AC.
9 Rx1Meg. 1KV. C/10 5Kv. DC.

C3 Factory Authorized Modification



Allied Radio
CORPORATION

Knight Vacuum Tube Voltmeter

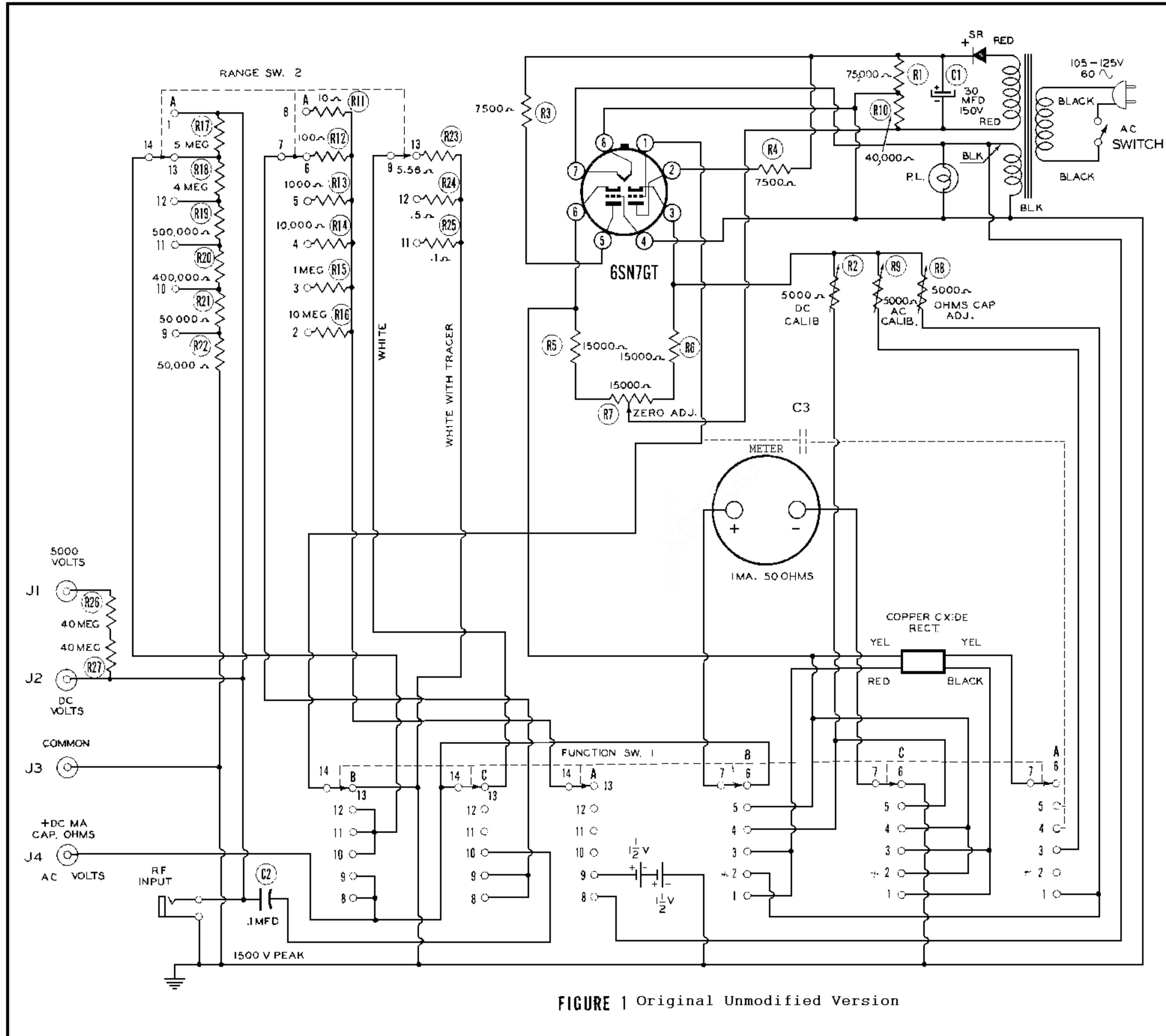


FIGURE 1 Original Unmodified Version