

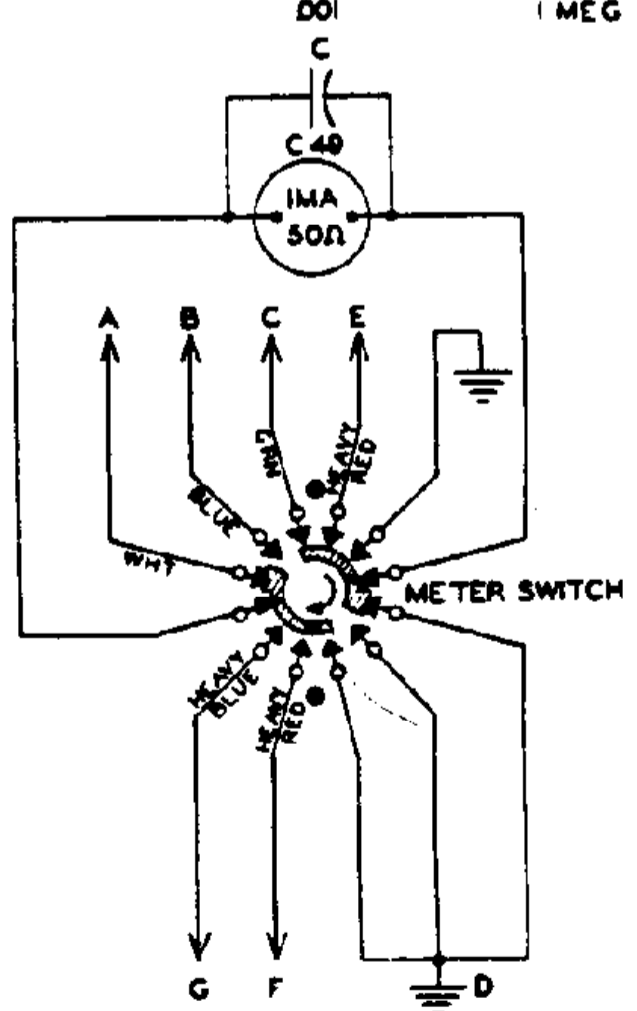
ALL RESISTORS ARE 1/2 WATT UNLESS OTHERWISE SPECIFIED  
 CAPACITORS MARKED WITH A DECIMAL POINT ARE  $\mu$ F. ALL OTHERS ARE  $\mu$ M.

CAPACITORS DESIGNATED WITH THE FOLLOWING ARE:  
 SM - SILVERED MICA  
 C - CERAMIC  
 M - MICA  
 P - PAPER  
 FT - FRED THROUGH

BAND SWITCH BROWN IN 6 METER POSITION  
 XTAL-YFO SWITCH SHOWN IN YFO POSITION  
 FUNCTION SWITCH SHOWN IN OFF POSITION

AUXILIARY SOCKET CONNECTIONS:  
 PIN 3 - RECEIVER MUTING  
 PIN 2 AND 4 - REMOTE CONTROL  
 PIN 5 AND 6 - ANT. RELAY (117 VAC)

COLOR CODE MARKING OF LEADS ARE THOSE LEADS IN THE CABLE HARNESS ONLY. (EXCLUDING TRANSFORMER LEADS.)



VHF-1