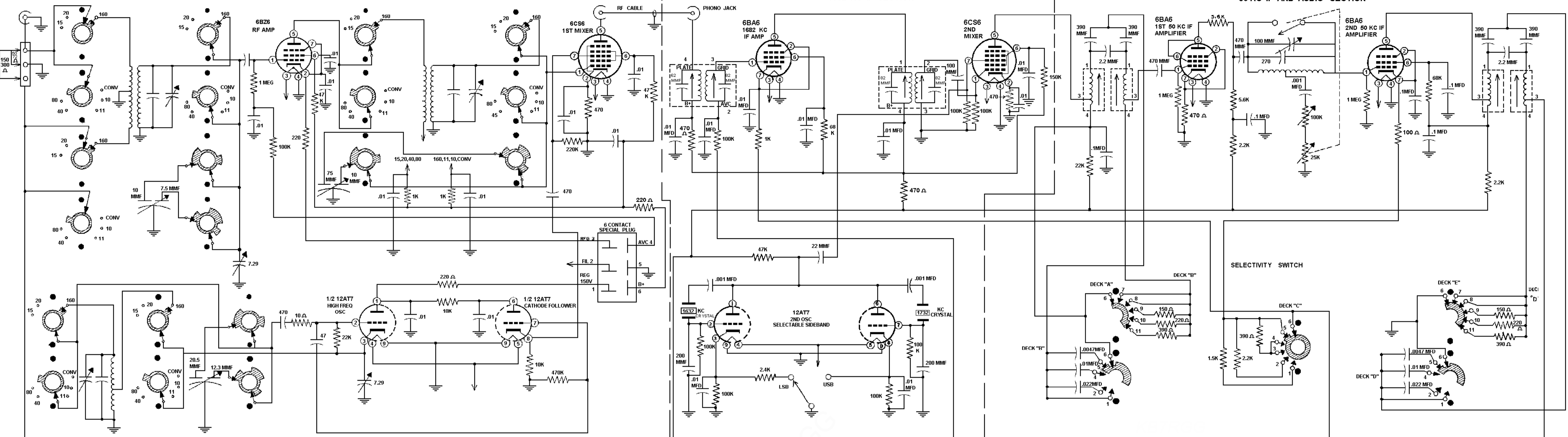


FRONT END SECTION

1682 KC IF SECTION

50 KC IF AND AUDIO SECTION



100KC CRYSTAL CALIBRATOR SECTION

POWER SUPPLY SECTION

