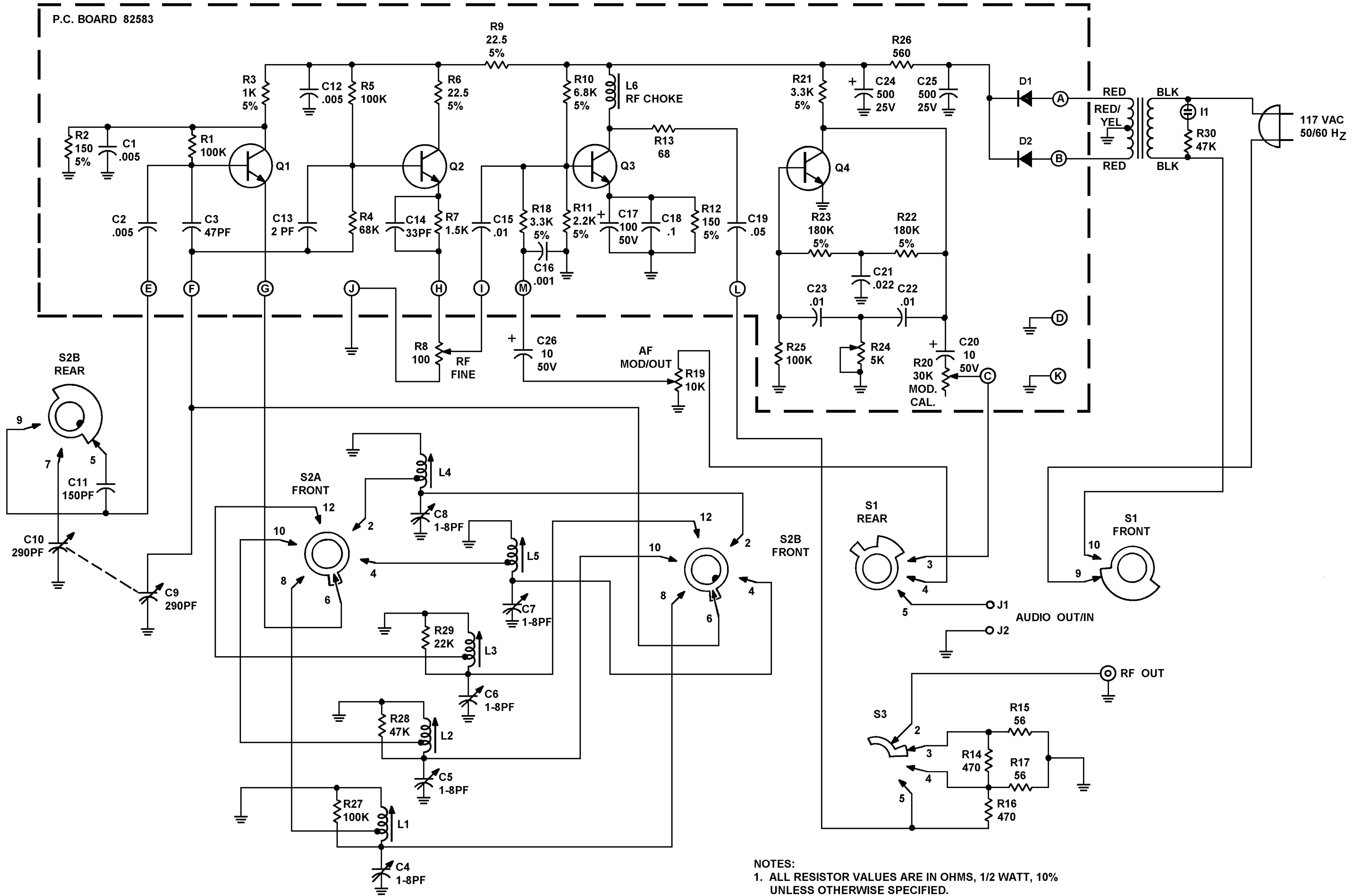


P.C. BOARD 82583



- NOTES:
1. ALL RESISTOR VALUES ARE IN OHMS, 1/2 WATT, 10% UNLESS OTHERWISE SPECIFIED.
  2. ALL CAPACITOR VALUES ARE IN MICROFARADS, UNLESS OTHERWISE SPECIFIED.
  3. THE ROTORS OF S2B FRONT AND S2B REAR ARE CONNECTED.

EICO  
MODEL 330 RF SIGNAL GENERATOR